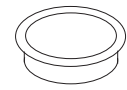


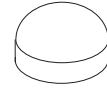
Thank you for purchasing the **Alfresco High Dining Table**. This page lists all the contents included in the box. Please take time to identify the hardware as well as the individual components of this product. As you unpack and prepare for assembly, place the contents on a carpeted or padded area to protect them from damage.

Note: 2 people are required to safely assemble this product.

## HARDWARE



1 - tabletop cap

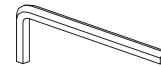


8 - bolt caps

Missing hardware?

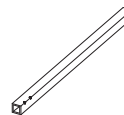
Please call **800.606.6387** for replacements.

## TOOLS REQUIRED

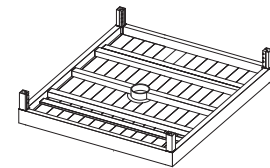


allen wrench (included)

## COMPONENTS

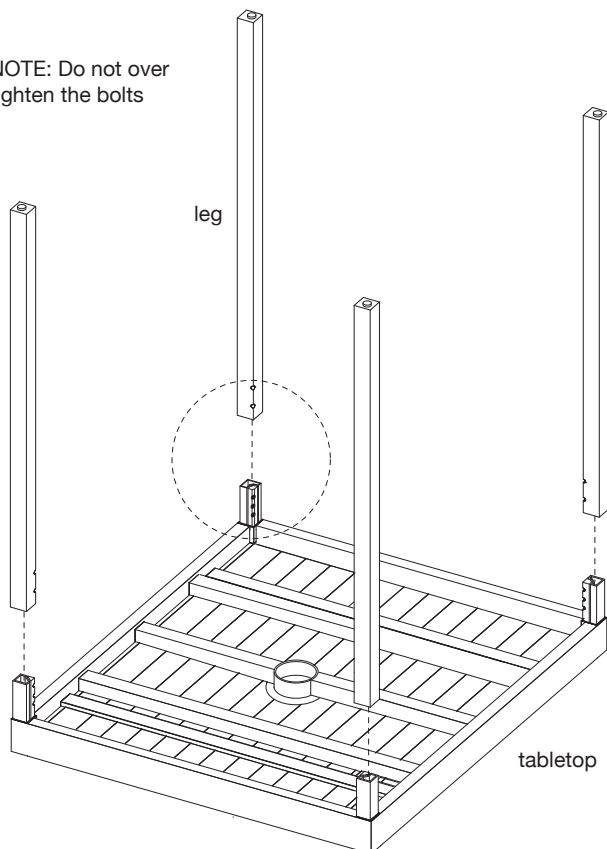


4 - legs



1 - tabletop

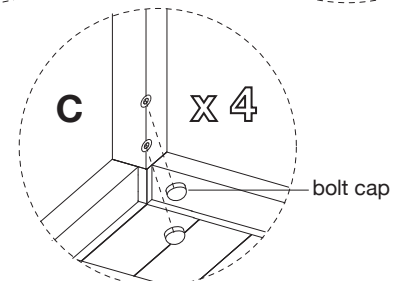
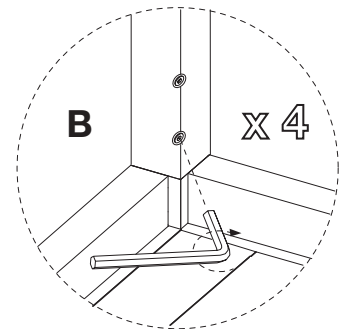
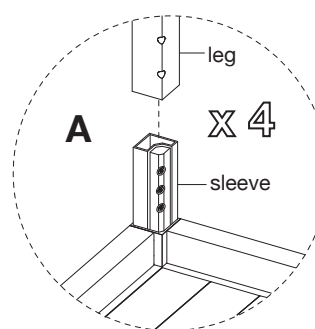
NOTE: Do not over tighten the bolts

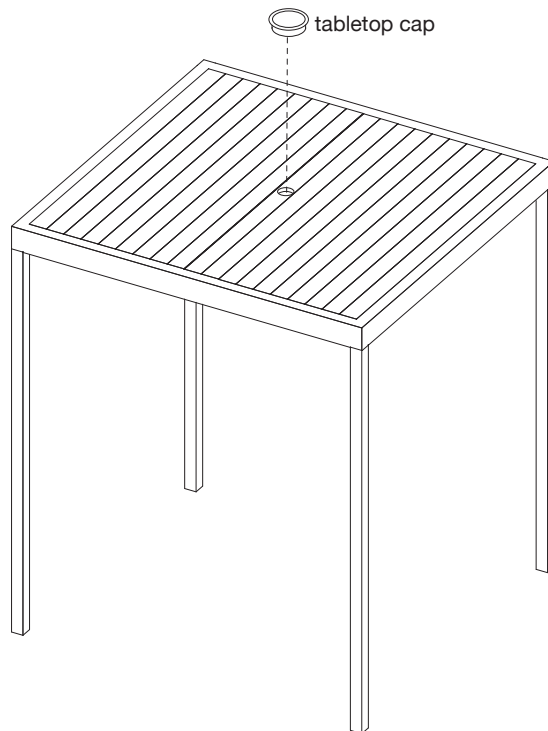


① A) With the assistance of another adult, place **tabletop** upside down onto a clean, padded surface. Fit **4 legs** over **sleeves** on **tabletop** as shown.

B) Secure **legs** to **tabletop** with **8 pre-installed bolts** as shown using an **allen wrench**. Do not over tighten the bolts.

C) Cover all exposed bolts with **bolt caps**.

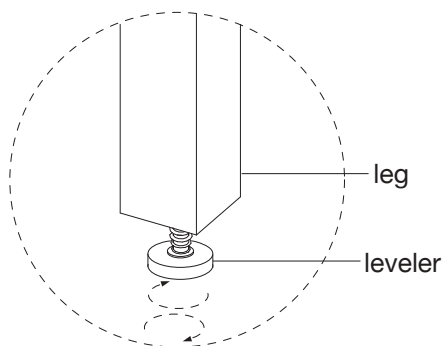




- ② With the assistance of another adult, position table upright. Insert **tabletop cap** into center hole of assembled unit as shown.

Assembly is now complete.

## METHOD TO ADJUST LEVELERS ON TABLE



**NOTE: This table comes with pre-attached levelers. Please do the following if your table is not level.**

With the assistance of another adult, adjust levelers of each leg as necessary.

## CLEANING AND CARE

Clean surfaces with a dry or damp soft cloth. Do not use abrasive cleaners. It is recommended to use coasters to protect surface from heat and water and to cover the table if left outdoors for the winter.

To remove small scratches, the tabletop can be lightly sanded with a 0000 extra fine steel wool or very fine sand paper. Remember to always sand in the direction of the wood grain.