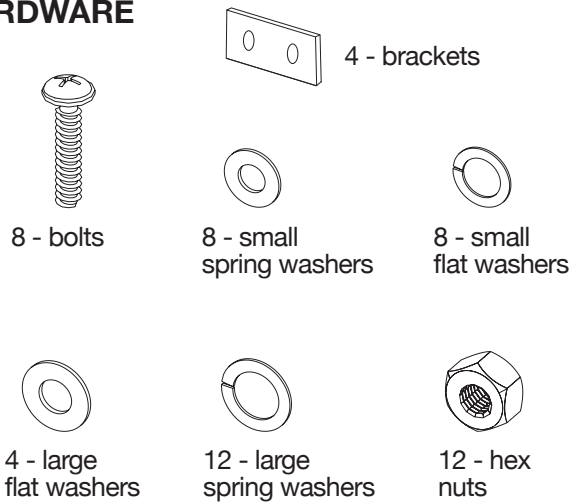


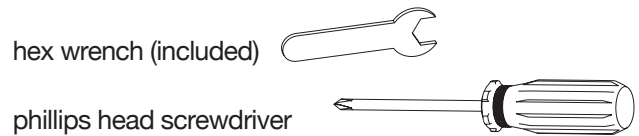
Thank you for purchasing the **Avalon Round Extension Dining Table**. This page lists all the contents included in the box. Please take time to identify the hardware as well as the individual components of this product. As you unpack and prepare for assembly, place the contents on a carpeted or padded area to protect them from damage. Note: 2 people are required to safely assemble this product.

## HARDWARE



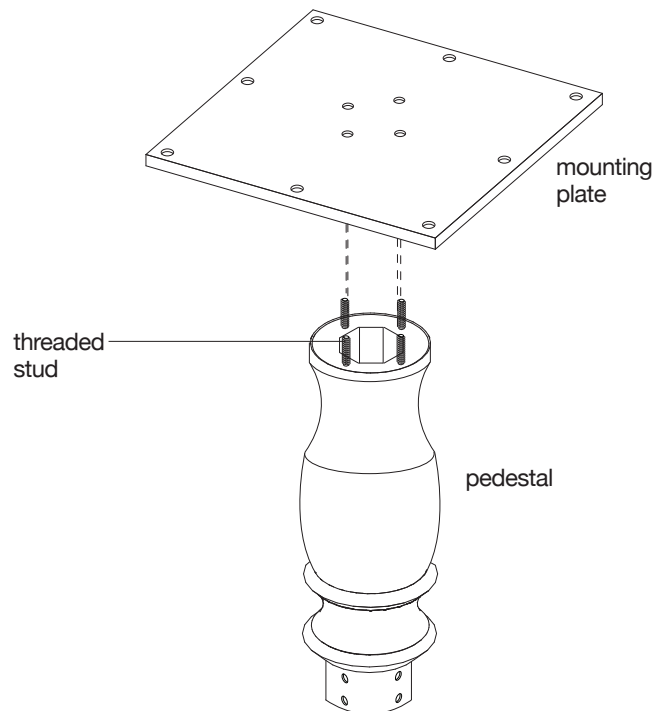
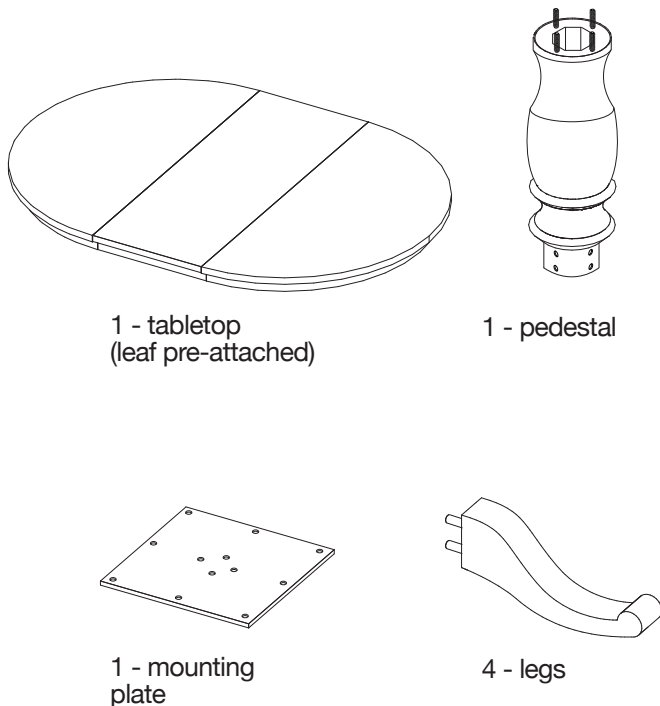
Missing hardware? Please call **800.606.6387** for replacements.

## TOOLS REQUIRED

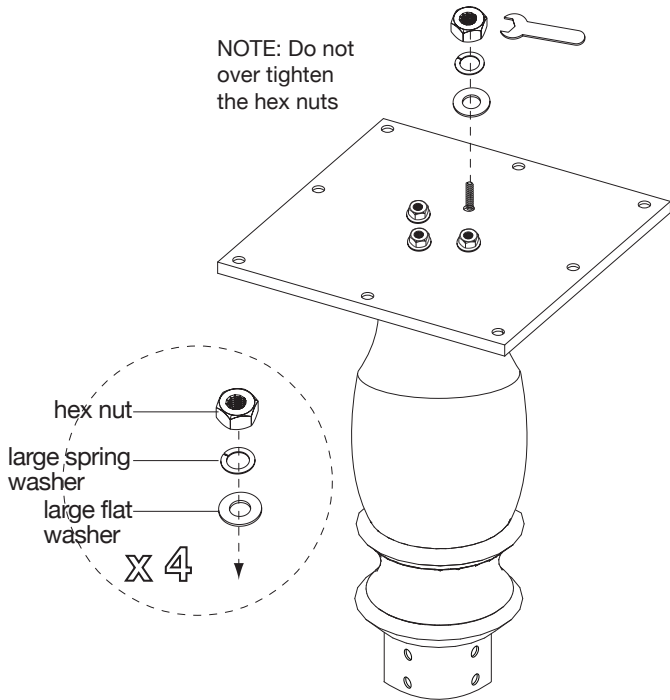


(We recommend the use of hand tools instead of power tools)

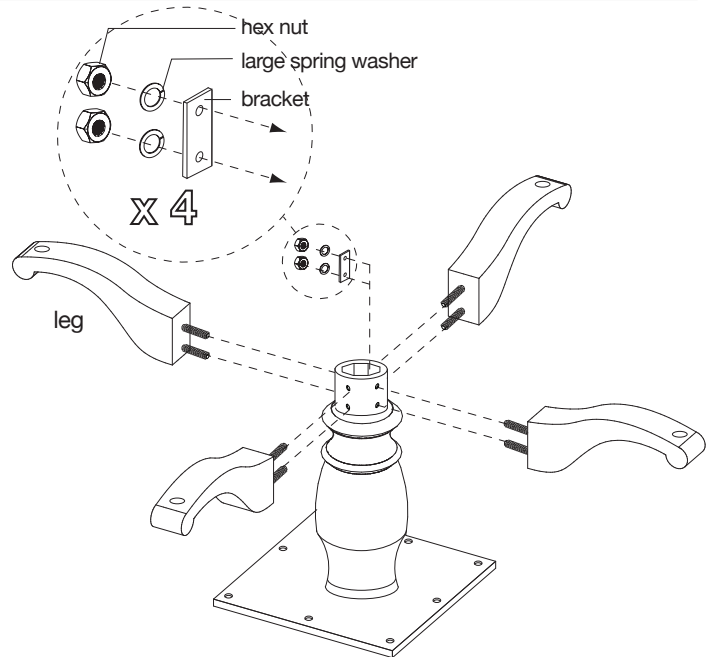
## COMPONENTS



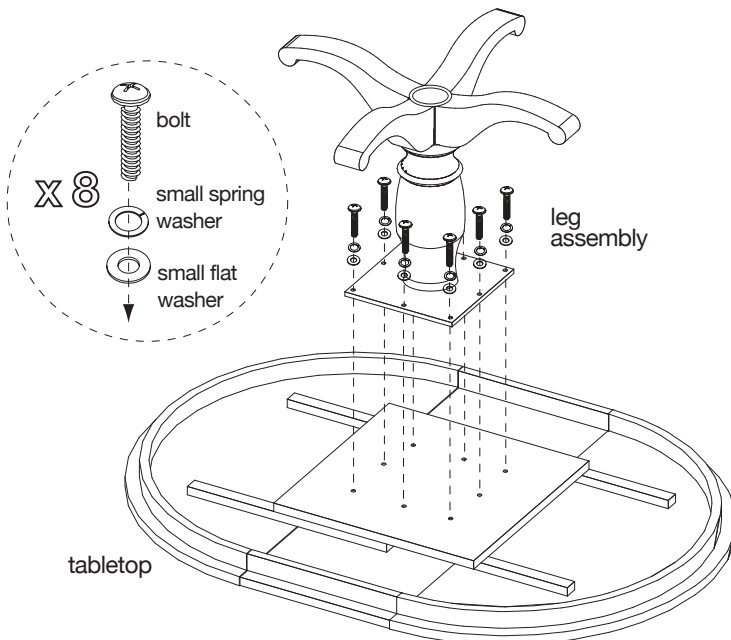
① Fit threaded studs of **pedestal** into corresponding holes of **mounting plate** as shown.



② Secure each threaded stud with 1 **hex nut**, 1 **large spring washer** and 1 **large flat washer** as shown. Secure, but do not over tighten, hex nuts with a **hex wrench**.



③ With the assistance of another adult, position unit upside down onto a clean, padded surface. Fit threaded bolt of each **leg** into corresponding holes of pedestal. Secure each **leg** with 2 **hex nuts**, 2 **large spring washers** and 1 **bracket** as shown, using a **hex wrench**.

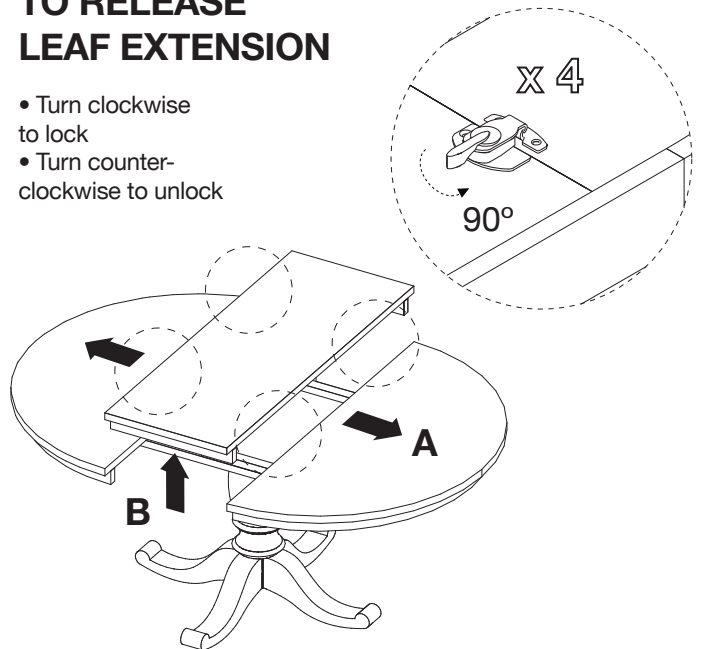


④ With the assistance of another adult, position **tabletop** face down as shown. Attach leg assembly to **tabletop** with 8 **bolts**, 8 **small spring washers**, and 8 **small flat washers**, using a **Phillips head screwdriver**. Carefully position unit upright. Assembly is now complete.

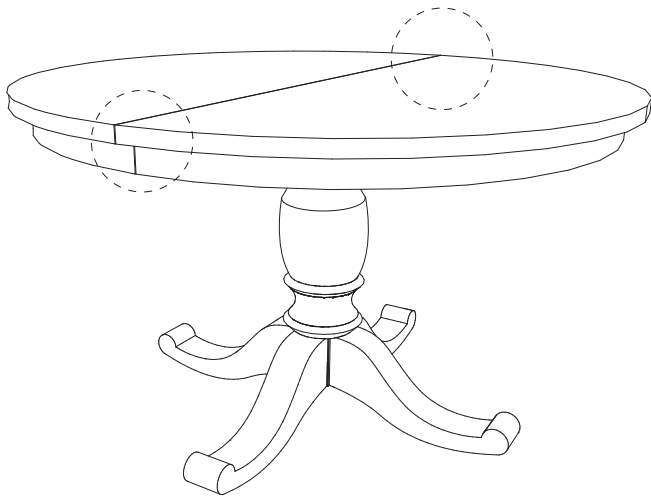
## INSTRUCTIONS TO RELEASE LEAF EXTENSION

VIEW FROM UNDERNEATH TABLETOP

- Turn clockwise to lock
- Turn counter-clockwise to unlock



⑤ A) Locate 4 **locking clasps** underneath **tabletop** assembly.  
B) To unlatch, turn each handle 90° counter-clockwise. This will release the tabletop sections.



- ⑥ With the assistance of another adult, slide the **tabletop** sections apart. Carefully remove **leaf** and set aside. Close **tabletop** sections and relatch **locking clasps**.  
Assembly is now complete.

## CLEANING & CARE

Clean surfaces with a dry or damp soft cloth. Do not use abrasive cleaners. Do not use furniture wax or polish as the unit is finished with a protective clear lacquer. It is recommended to use coasters to protect surface from heat and water.