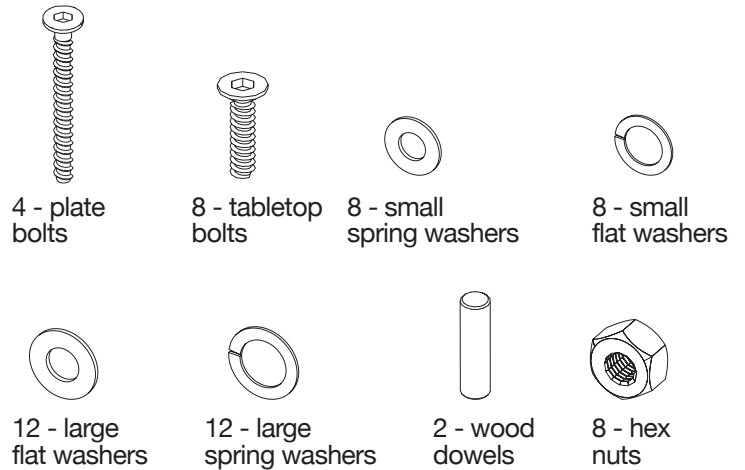


Thank you for purchasing the **Avalon Round Extension Dining Table**. This page lists all the contents included in the box. Please take time to identify the hardware as well as the individual components of this product. As you unpack and prepare for assembly, place the contents on a carpeted or padded area to protect them from damage. Note: 2 people are required to safely assemble this product.

HARDWARE



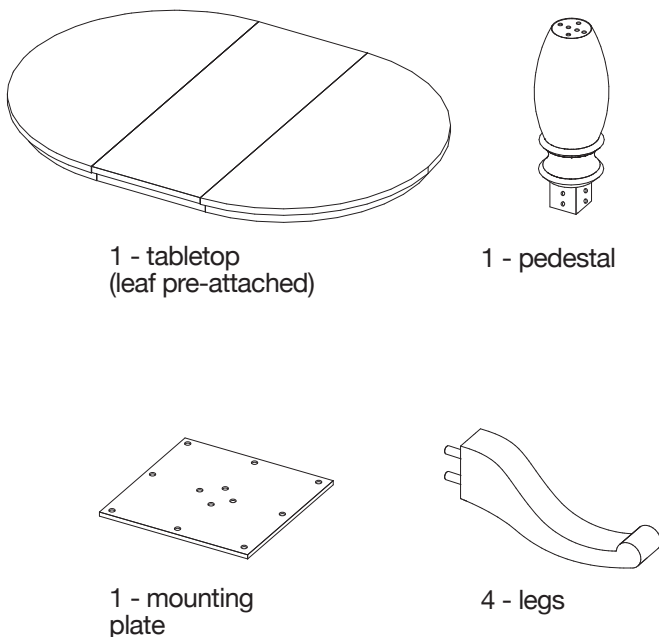
Missing hardware? Please call **800.606.6387** for replacements.

TOOLS REQUIRED

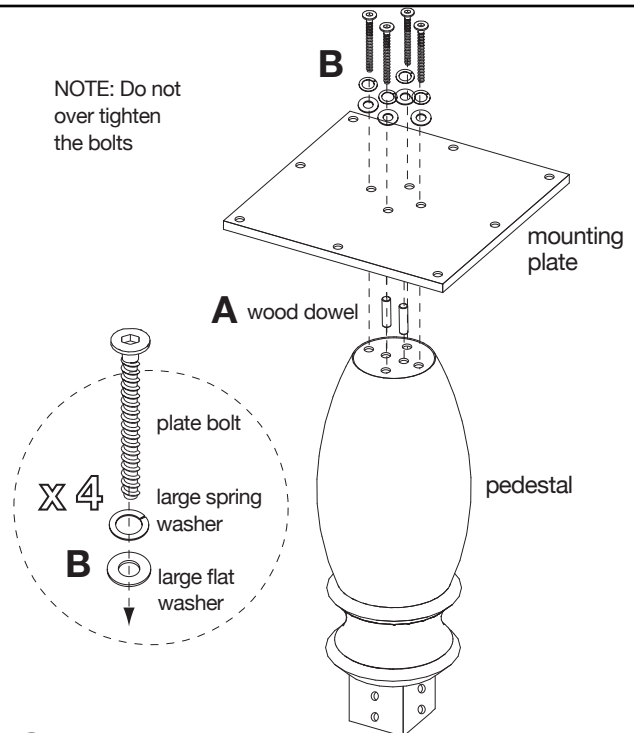


(We recommend the use of hand tools instead of power tools)

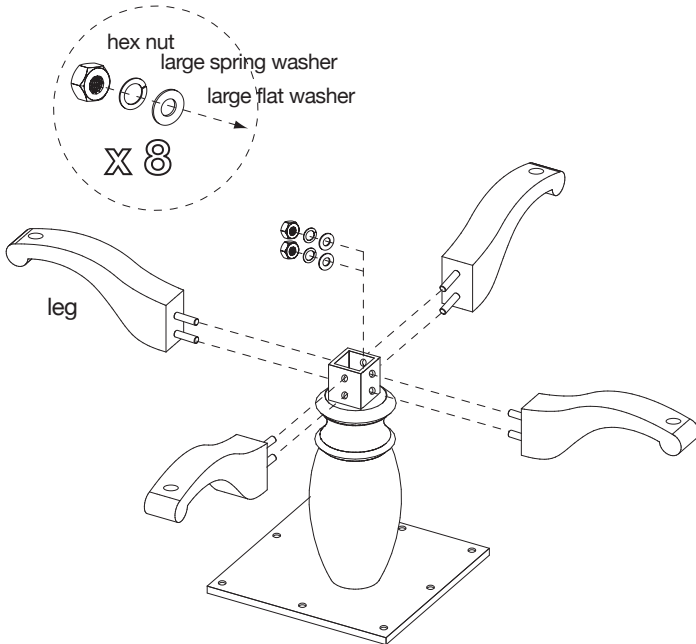
COMPONENTS



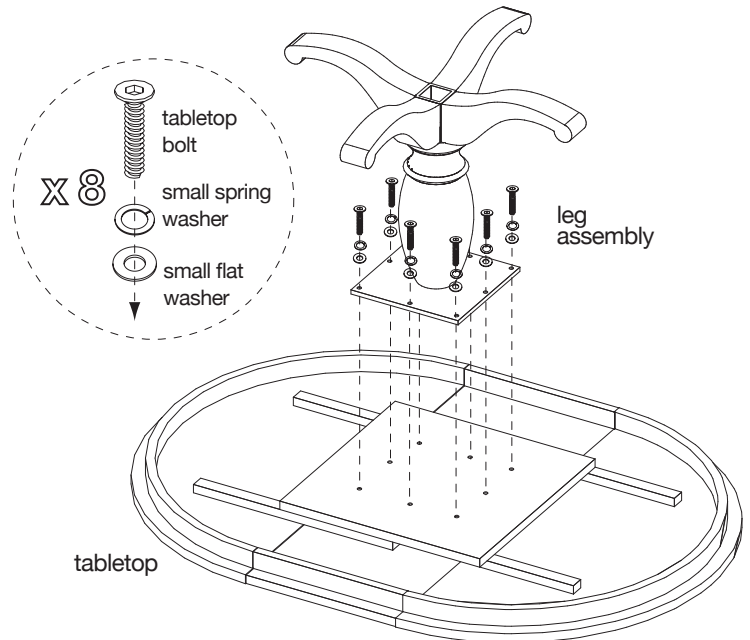
NOTE: Do not over tighten the bolts



- Insert 2 **wood dowels** into **pedestal** as shown.
 - Fit dowels of **pedestal** into corresponding holes of **mounting plate** as shown. Attach **mounting plate** with 4 **plate bolts**, 4 **large spring washers** and 4 **large flat washers** as shown. Secure, but do not over tighten, bolts with a **large allen wrench**.



② With the assistance of another adult, position unit upside down onto a clean, padded surface as shown. Fit threaded bolt of each **leg** into corresponding holes of pedestal. Secure each **leg** with 1 **hex nut**, 1 **large spring washer** and 1 **large flat washer**, using a **hex wrench**.

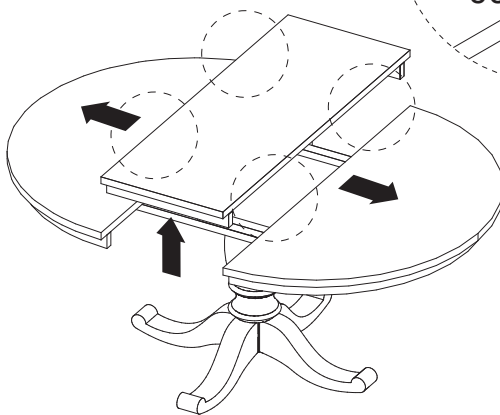
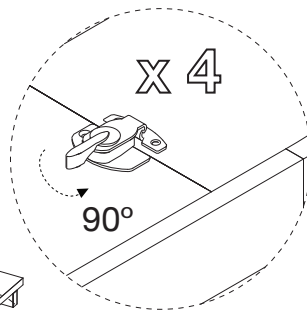


③ With the assistance of another adult, position **tabletop** face down as shown. Attach leg assembly to **tabletop** with 8 **tabletop bolts**, 8 **small spring washers**, and 8 **small flat washers**, using a **small allen wrench**. Carefully position unit upright. Assembly is now complete.

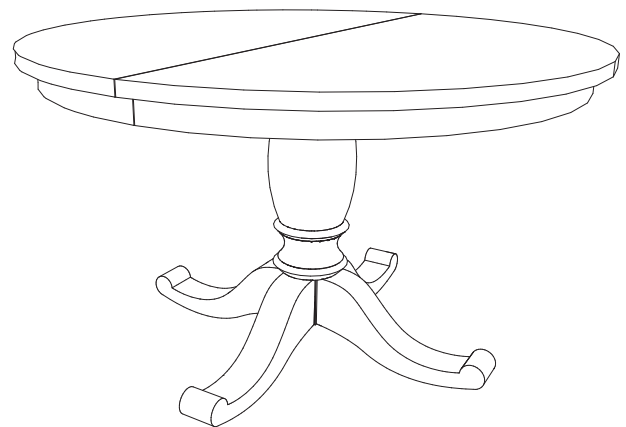
INSTRUCTIONS TO RELEASE LEAF EXTENSION

- Turn clockwise to lock
- Turn counter-clockwise to unlock

VIEW FROM UNDERNEATH TABLETOP



① A) Locate 4 **locking clasps** underneath **tabletop** assembly.
B) To unlatch, turn each handle 90° counter-clockwise. This will release the tabletop sections.



② With the assistance of another adult, slide the **tabletop** sections apart. Carefully remove **leaf** and set aside. Close **tabletop** sections and relatch **locking clasps**. Assembly is now complete.

CLEANING & CARE

Clean surfaces with a dry or damp soft cloth. Do not use abrasive cleaners. Do not use furniture wax or polish as the unit is finished with a protective clear lacquer. It is recommended to use coasters to protect surface from heat and water.