

Thank you for purchasing the **Cabria Extension Dining Table**. This page lists all the contents included in the box. Please take time to identify the hardware as well as the individual components of this product. As you unpack and prepare for assembly, place the contents on a carpeted or padded area to protect them from damage.

Note: 2 people are required to safely assemble this product.

HARDWARE



8 - nuts



8 - flat washers



8 - spring washers

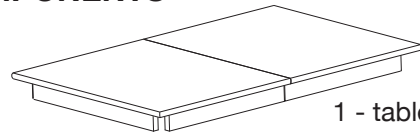
Missing hardware? Please call **800.606.6387** for replacements.

TOOLS REQUIRED

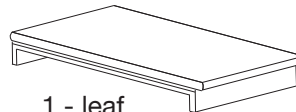
hex wrench (included)



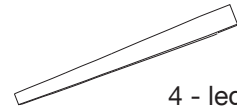
COMPONENTS



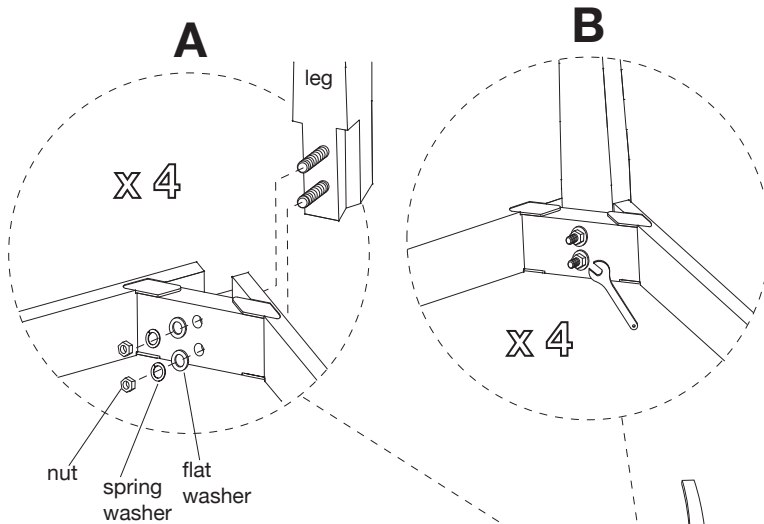
1 - tabletop



1 - leaf

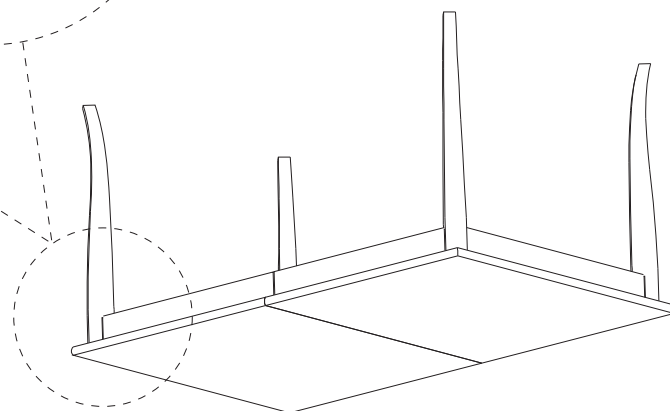


4 - legs

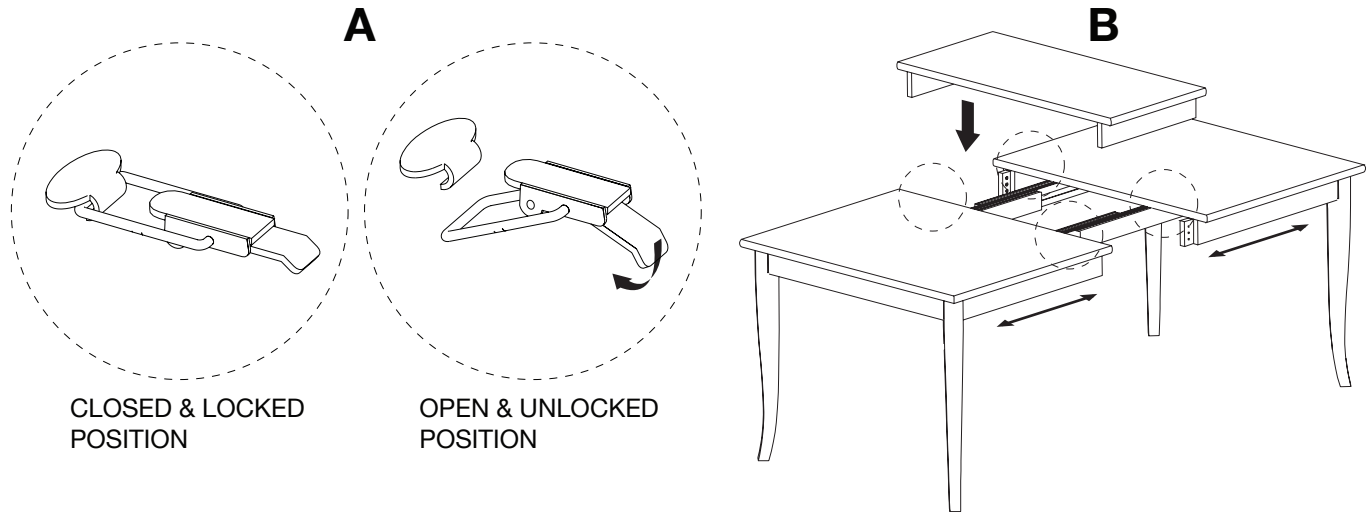


1) A) With the assistance of another adult, place **tabletop** face down onto a clean, padded surface. Insert threaded bolts of each **leg** into tabletop as shown. Attach each leg with 2 **nuts**, 2 **spring washers** and 2 **flat washers**.

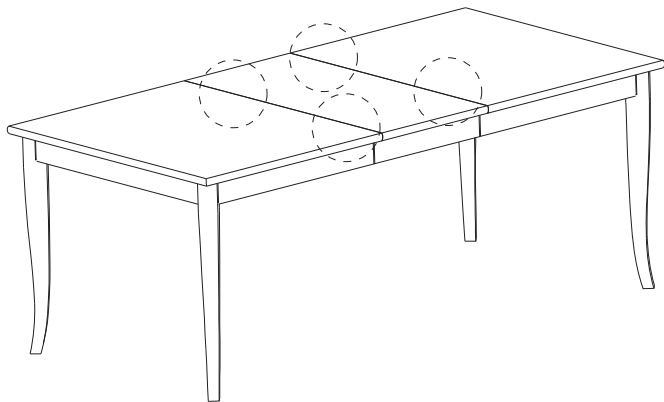
B) Fully tighten all **nuts** with a **hex wrench**.



EXTENSION LEAF INSTALLATION



- ② A. Place table upright and locate the 2 metal clasps on the underside of the tabletop. Unlock each clasp by pulling down on the lever.
- B. With the assistance of another adult, pull 2 tabletop sections apart. Place **leaf** into position, aligning metal pins on leaf with matching locator holes. Push both tabletops towards the center.



- ③ Re-latch clasps on underside of tabletop to the leaf. Installation of the leaf is now complete.

CLEANING AND CARE

Clean surfaces with a dry or damp soft cloth. Do not use abrasive cleaners. Do not use furniture wax or polish as the wood is finished with a protective clear lacquer.