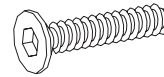


Thank you for purchasing the **Felix Barstool (24" and 30")**. This page lists all the contents included in the box. Please take time to identify the hardware as well as the individual components of this product. As you unpack and prepare for assembly, place the contents on a carpeted or padded area to protect them from damage.

HARDWARE



4 - bolts



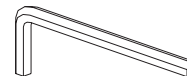
4 - spring washers



4 - flat washers

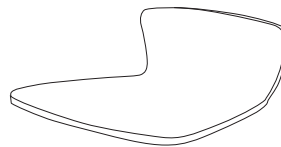
Missing hardware? Please call **800.606.6387** for replacements.

TOOLS REQUIRED

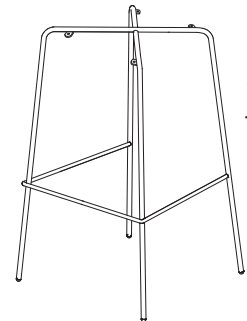


allen wrench (included)

COMPONENTS

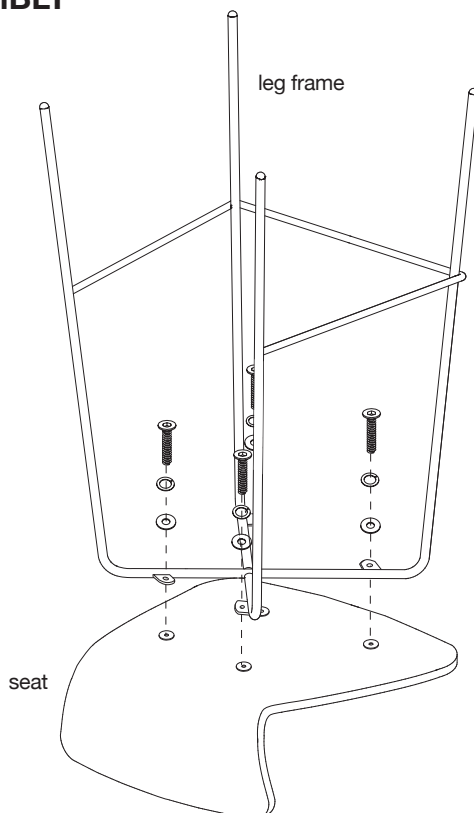


1 - seat



1 - leg frame

ASSEMBLY

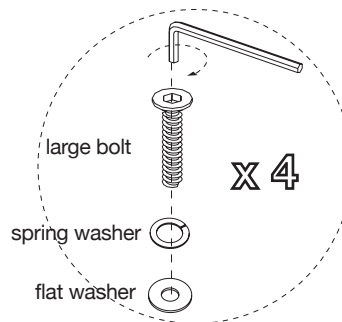


A. Place **seat** upside down onto a clean, padded surface as shown. Align holes in **leg frame** over holes in bottom of **seat** as shown.

B. Loosely insert 4 **bolts**, 4 **spring washers** and 4 **flat washers** through holes in **leg frame** into **seat** as shown.

C. Make any necessary adjustments to the seat and frame. Fully tighten all 4 **bolts** with the **allen wrench**. Position unit upright. NOTE: Bolts should be periodically tightened.

Assembly is now complete.



NOTE:

Before assembly, carefully remove all packaging to avoid damage to seat and leg frame.

CLEANING AND CARE

Clean surfaces with a dry or damp soft cloth. Do not use abrasive cleaners.