

HARDWARE

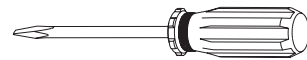


2 - bolts



2 - nuts

TOOLS REQUIRED

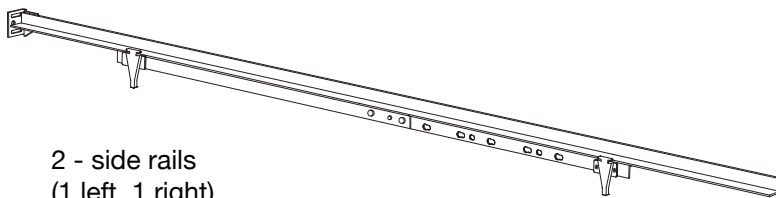


flat head screwdriver

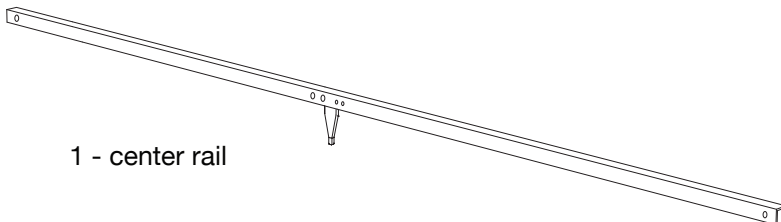
(We recommend the use of hand tools instead of power tools)

Thank you for purchasing the **Metal Bed Frame Queen Size**. This page lists the contents included in the box. Please take time to identify the hardware as well as the individual components of this product. As you unpack and prepare for assembly, place the contents on a carpeted or padded area to protect them from damage. Note: 2 people are required to safely assemble this product.

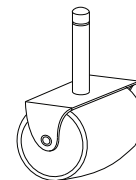
COMPONENTS



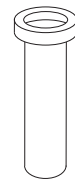
2 - side rails
(1 left, 1 right)



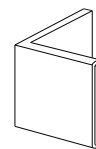
1 - center rail



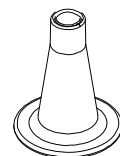
4 - wheels



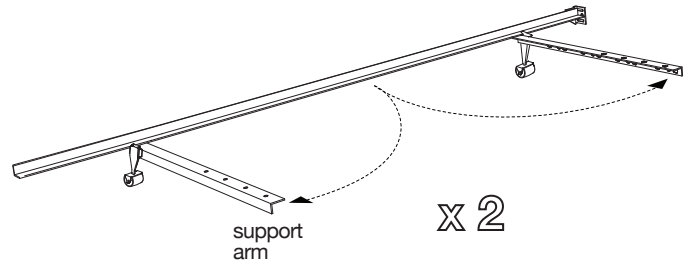
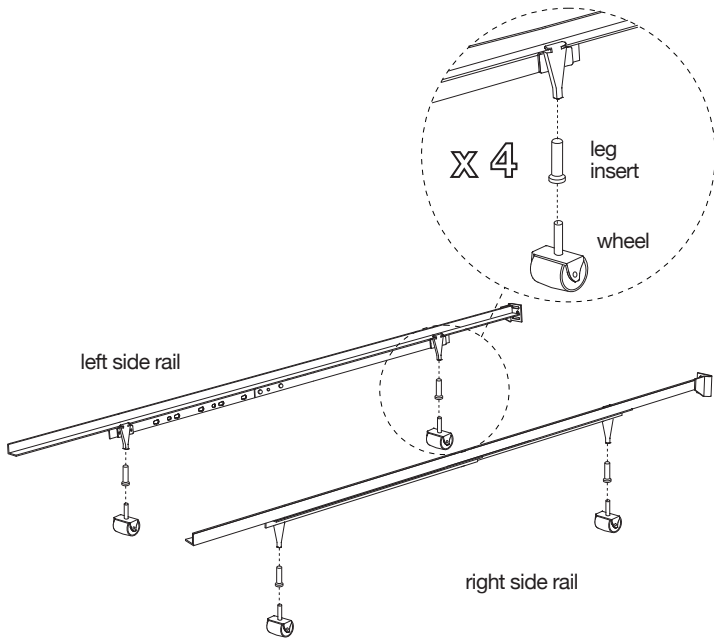
4 - leg inserts



2 - caps



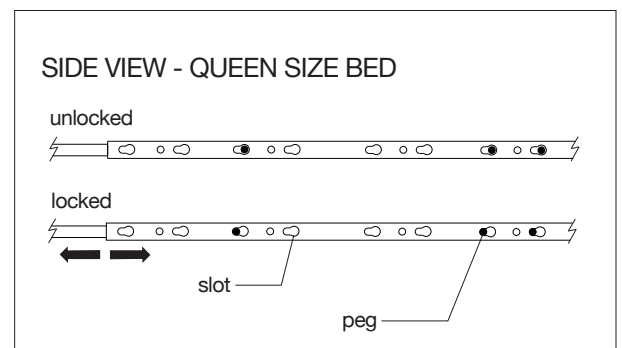
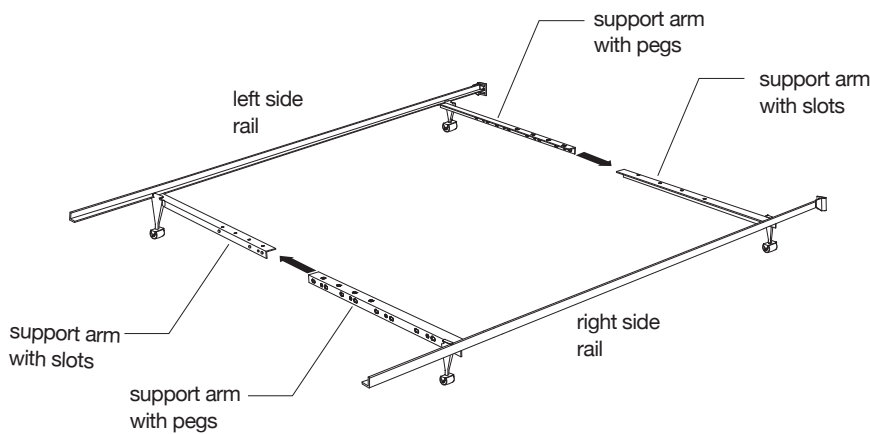
1 - leg cap



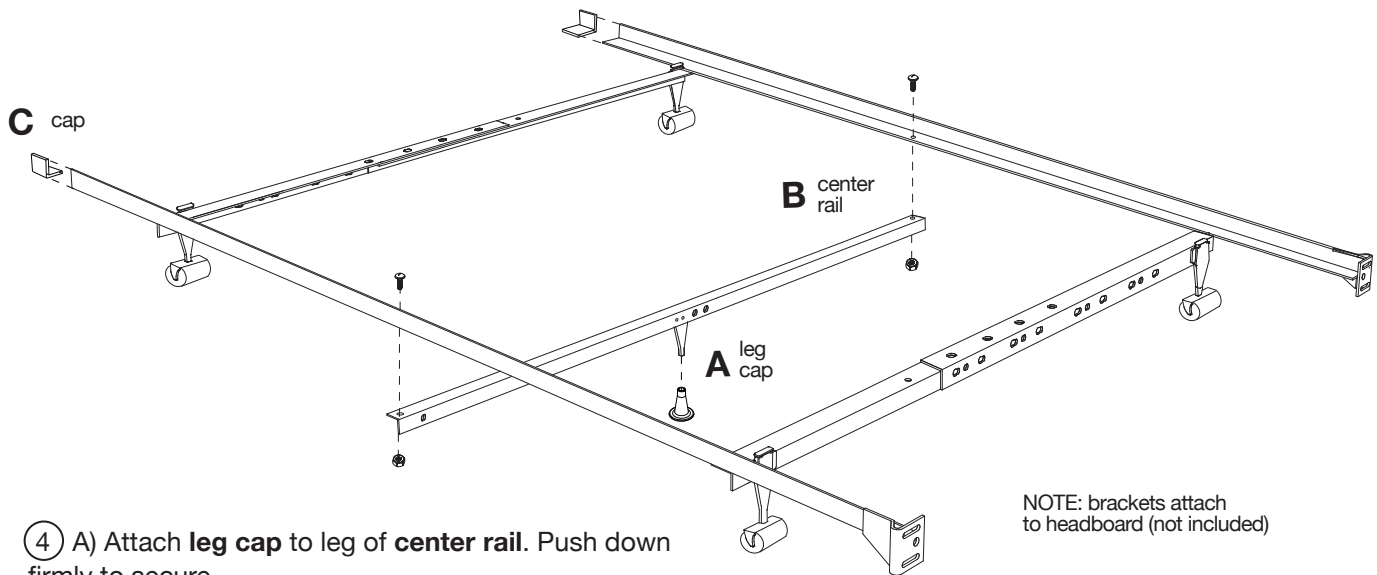
① With the assistance of another adult, fit **leg insert** and **wheel** into corresponding leg of **left and right side rails** as shown. Push down on each leg assembly to secure.

② Unfold support arms of **left and right side rails**.

NOTE: Make sure support arms with slots slide over support arms with pegs.



③ Fit **support arm with slots** over corresponding **support arm with pegs** of **right and left side rails**. Referring to the illustrations, determine desired bed frame size and insert pegs into corresponding slots as shown. Firmly pull support arms apart until each peg securely engages each slot.



- ④ A) Attach **leg cap** to leg of **center rail**. Push down firmly to secure.
B) Attach **center rail** to bed frame assembly with 2 **bolts** and 2 **nuts**. Secure with flat head screwdriver.
C) Fit 1 **cap** onto each end of **left and right side rails** as shown.
Assembly is now complete.

NOTE: brackets attach to headboard (not included)

CLEANING & CARE

Clean surfaces with a dry or damp soft cloth.
Do not use abrasive cleaners.