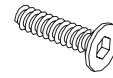


Thank you for purchasing the **Pilsen 36" Desk**. This page lists all the contents included in the box. Please take time to identify the hardware as well as the individual components of this product. As you unpack and prepare for assembly, place the contents on a carpeted or padded area to protect them from damage.

Note: 2 people are required to safely assemble this product.

HARDWARE



12 - bolts



6 - bumpers

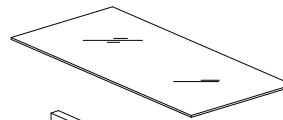
Missing hardware? Please call **800.606.6387** for replacements.

TOOLS REQUIRED

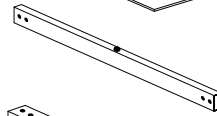


allen wrench (included)

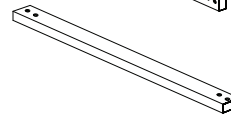
COMPONENTS



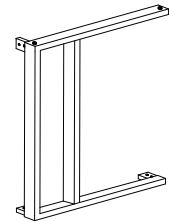
1 - glasstop



1 - bottom crossbar

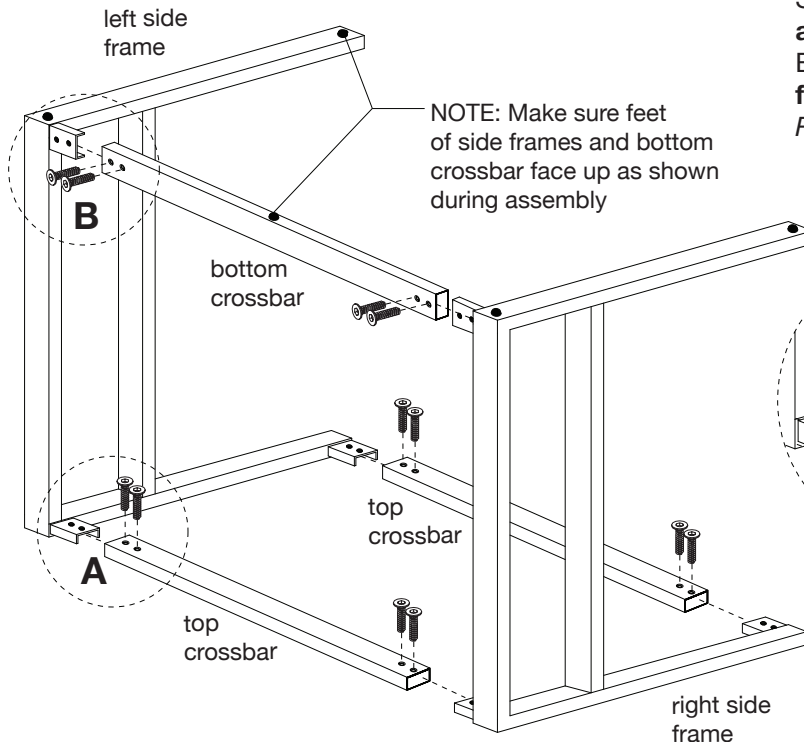


2 - top crossbars

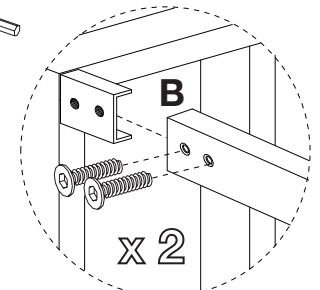
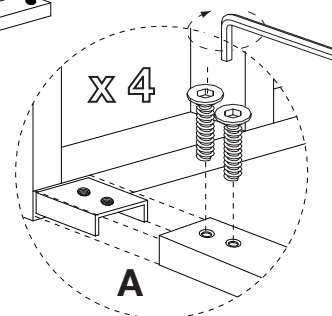


2 - side frames
(1 left, 1 right)

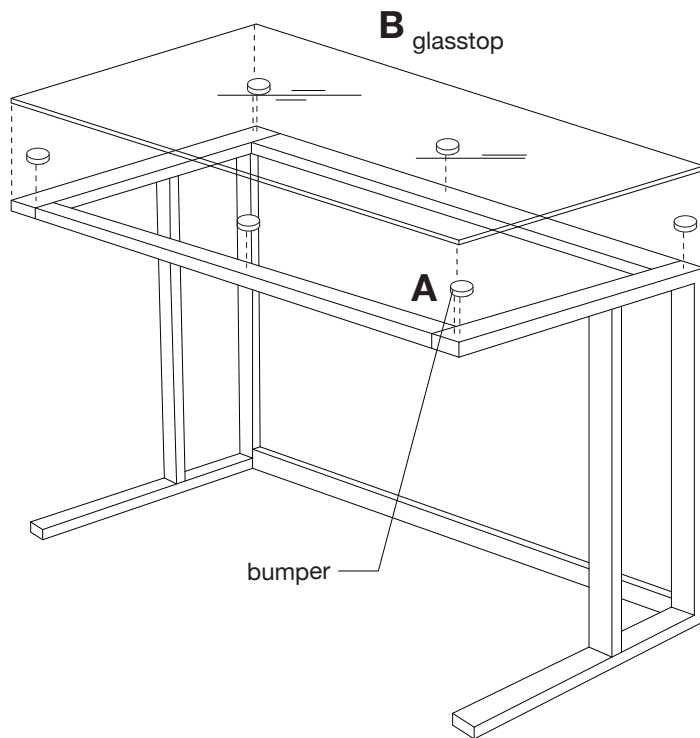
ASSEMBLY



- ① A) Fit 2 **top crossbars** over bracket of **left side frame** with 2 **bolts** per crossbar as shown. Secure, but do not over tighten, bolts using an **allen wrench**.
- B) Fit **bottom crossbar** over bracket of **left side frame** with 2 **bolts** as shown. Repeat steps A and B for **right side frame**.



NOTE: Do not over tighten the bolts



- ② A) With the assistance of another adult, position *desk assembly* upright. Adhere 6 **bumpers** to desk assembly as shown.
B) With the assistance of another adult, carefully place **glasstop** onto *desk assembly* as shown. Make sure **glasstop** is securely supported by bumpers.

Assembly is now complete.

CLEANING & CARE

Clean surfaces with a dry or damp soft cloth. Do not use abrasive cleaners. Do not use furniture wax or polish as the unit is finished with a protective clear lacquer.