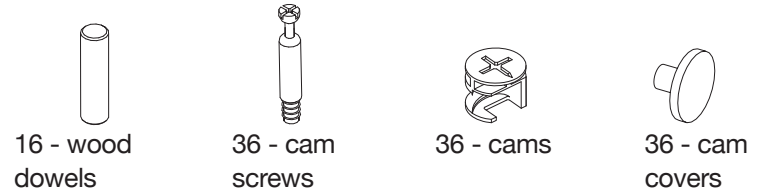
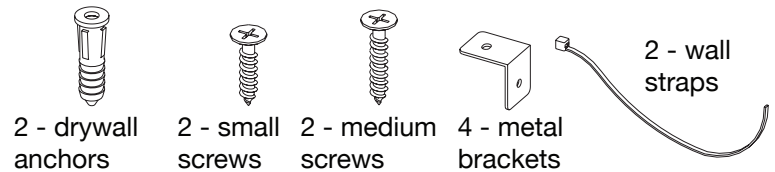


Thank you for purchasing the **Shift Console Bookcase**. This page lists all the contents included in the box. Please take time to identify the hardware as well as the individual components of this product. As you unpack and prepare for assembly, place the contents on a carpeted or padded area to protect them from damage. Note: 2 people are required to safely assemble this product.

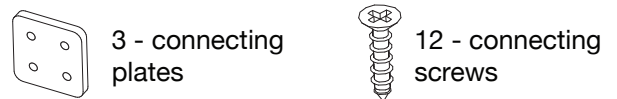
ASSEMBLY HARDWARE



MOUNTING HARDWARE

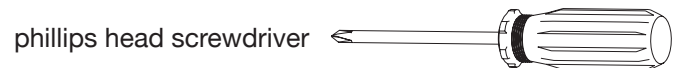


CONNECTING HARDWARE

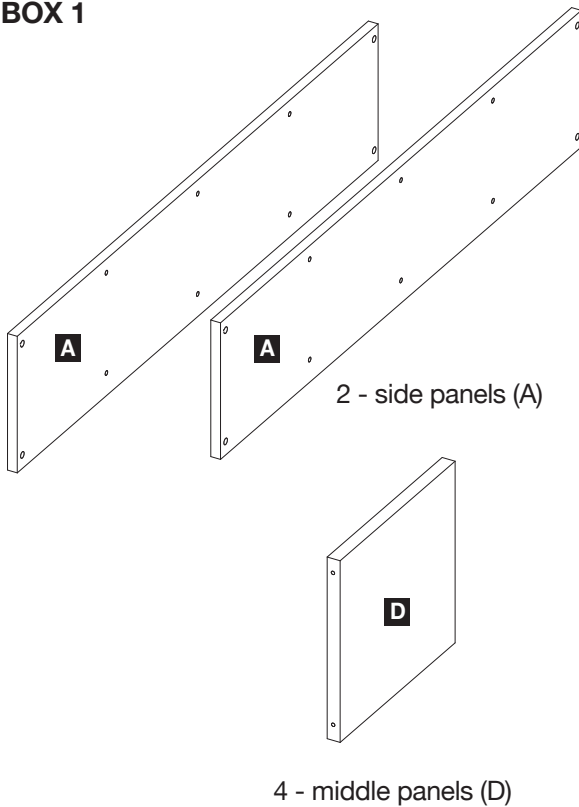


Missing hardware? Please call **800.606.6387** for replacements.

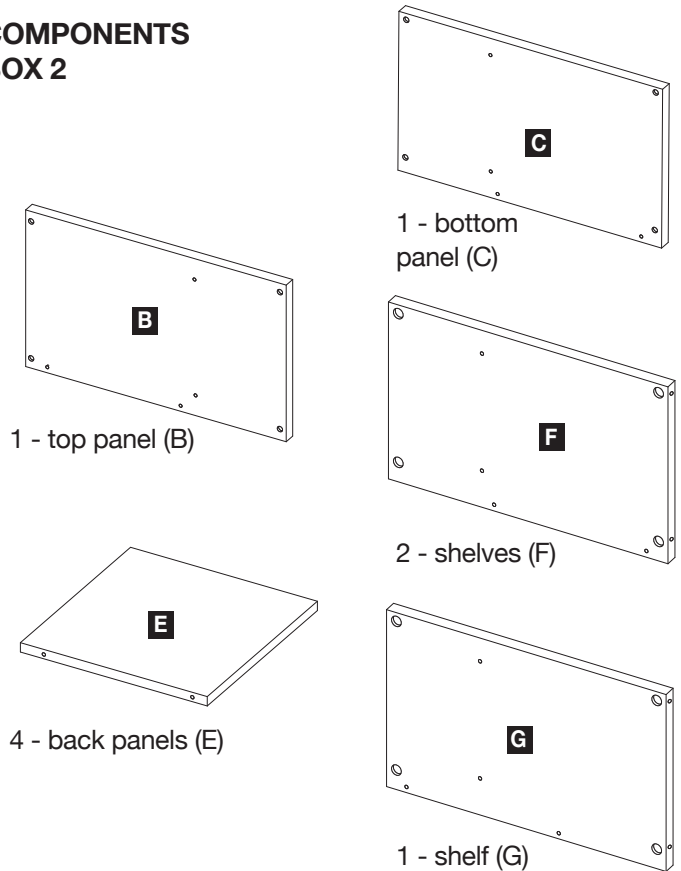
TOOLS REQUIRED



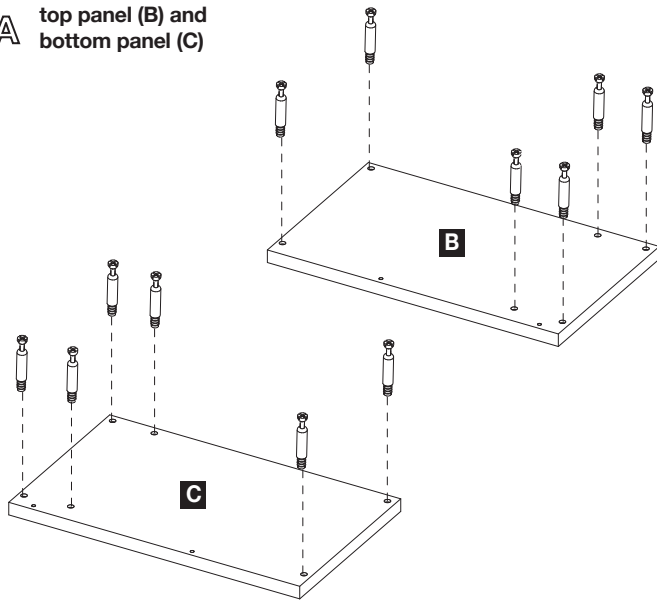
COMPONENTS BOX 1



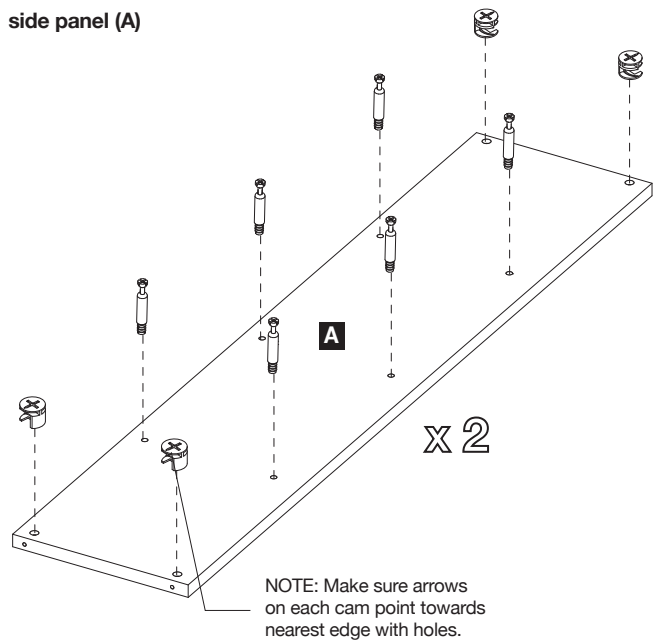
COMPONENTS BOX 2



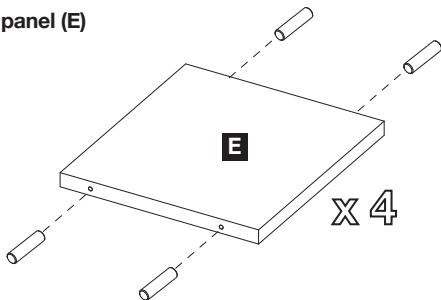
A top panel (B) and bottom panel (C)



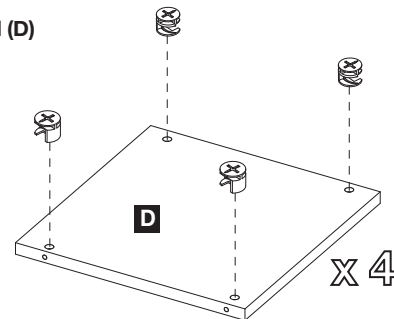
B side panel (A)



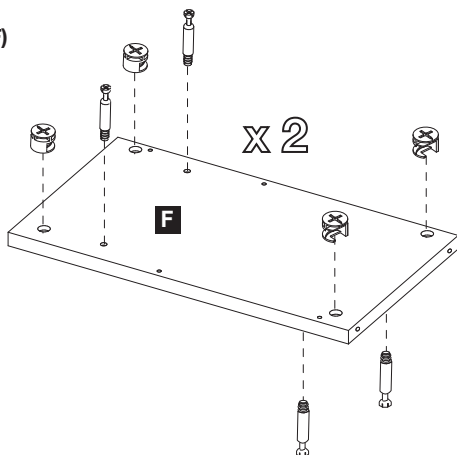
C back panel (E)



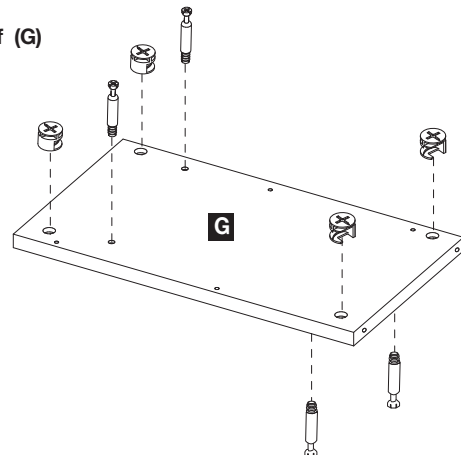
D middle panel (D)



E shelf (F)

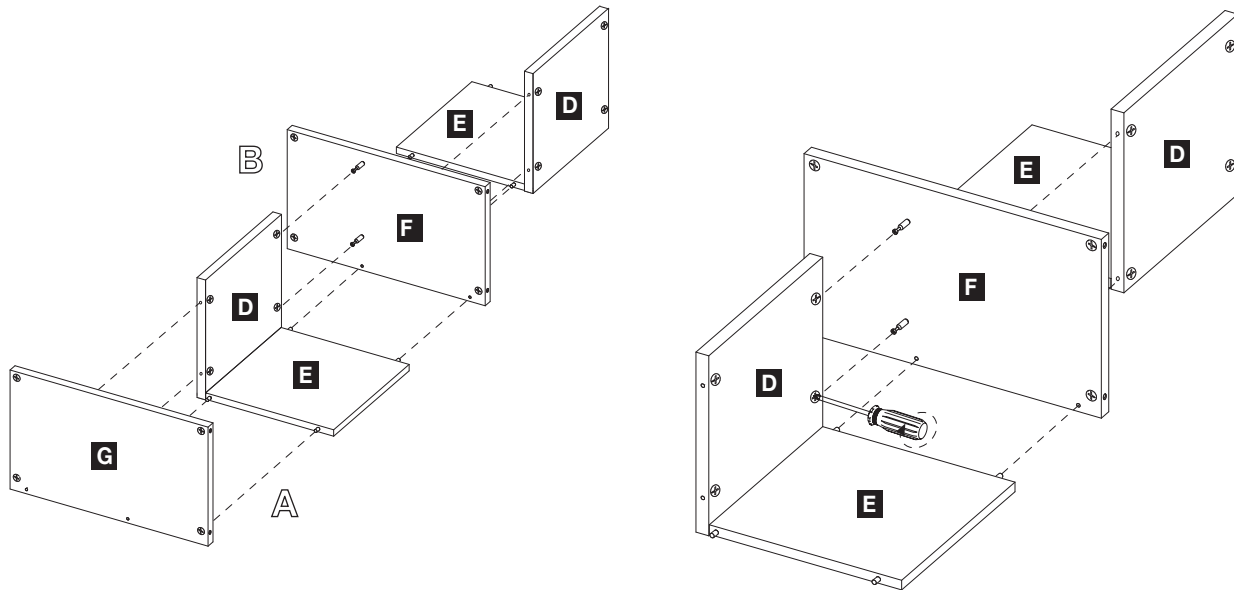


F shelf (G)

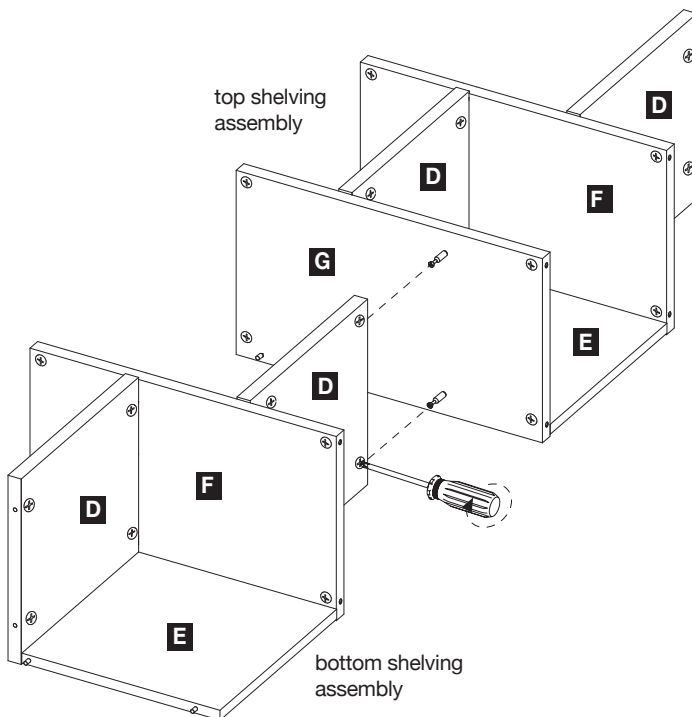


- 1 A) Insert 6 **cam screws** into **top panel (B)** and **bottom panel (C)** as shown. Secure cam screws with a **Phillips head screwdriver**.
- B) Insert 6 **cam screws** and 4 **cams** into 2 **side panels (A)** as shown. Make sure arrows on each cam point towards nearest edge with holes.

- C) Insert 4 **wood dowels** into 4 **back panels (E)** as shown.
- D) Insert 4 **cams** into 4 **middle panels (D)** as shown.
- E) Insert 4 **cam screws** and 4 **cams** into 2 **shelves (F)** as shown.
- F) Insert 4 **cam screws** and 4 **cams** into **shelf (G)** as shown.

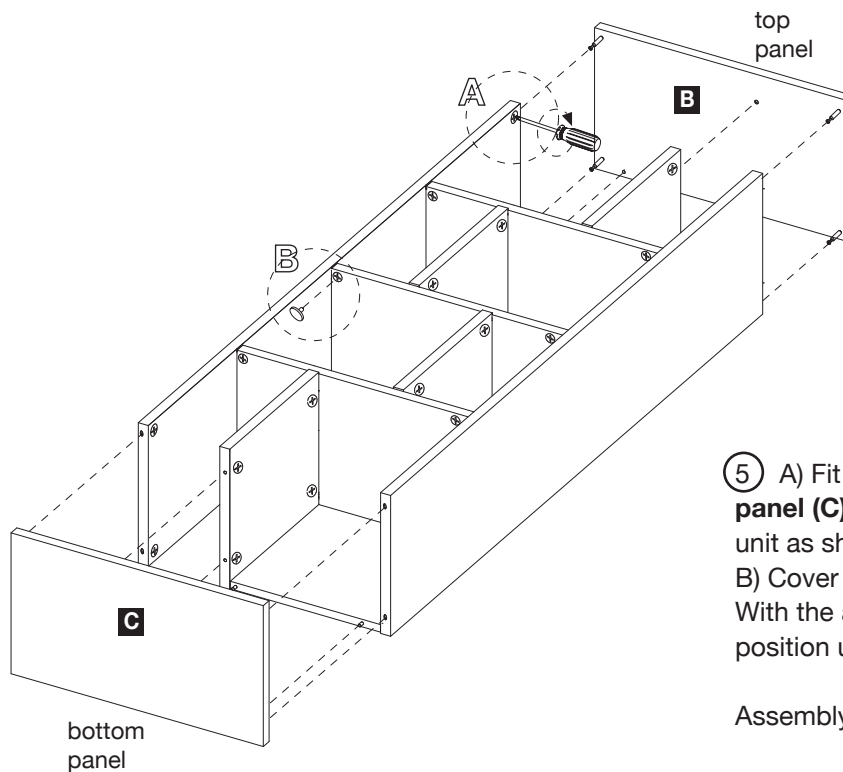
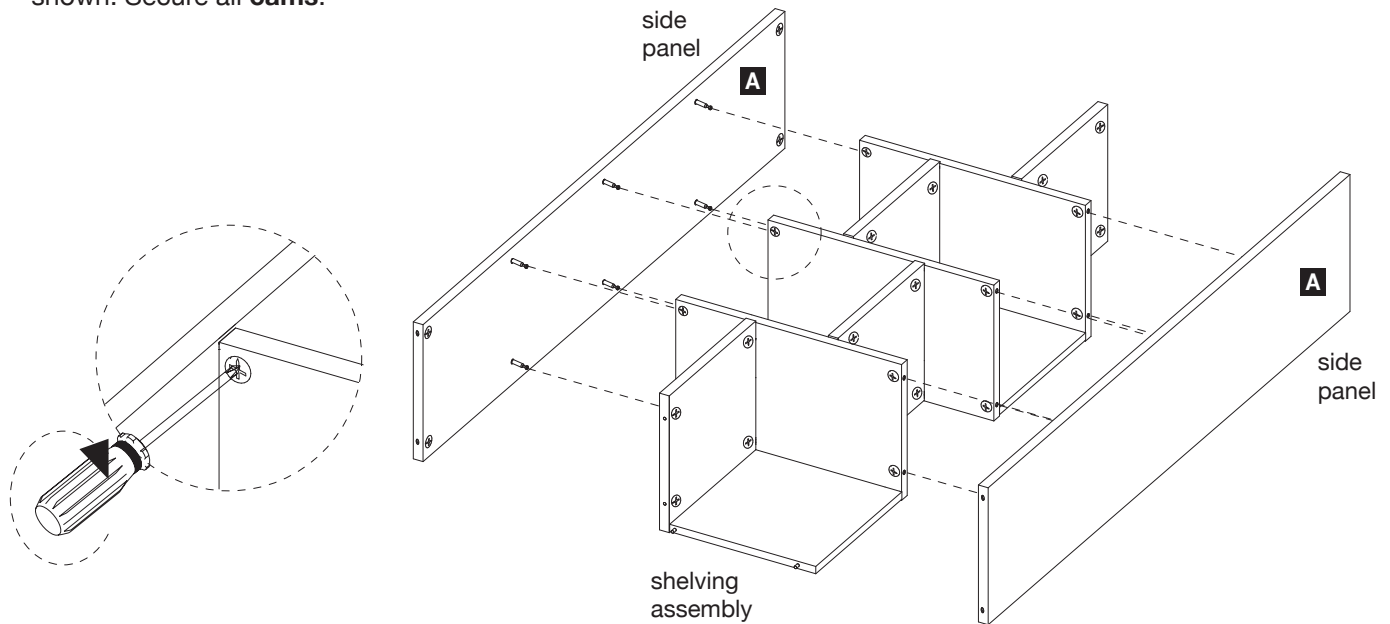


- ② A) Fit dowels of **back panels (E)** into corresponding holes of **shelves (F, G)** as shown.
B) Fit cam screws of **shelves (F, G)** into corresponding holes of **middle panels (D)** as shown.
With a screwdriver, turn **cams** clockwise until it securely engages each cam screw.



- ③ Fit cam screw of top shelving assembly into corresponding holes of bottom shelving assembly as shown. Secure all **cams**.

- ④ Fit dowels of shelving assembly into corresponding holes of **side panels (A)** as shown. Secure all **cams**.

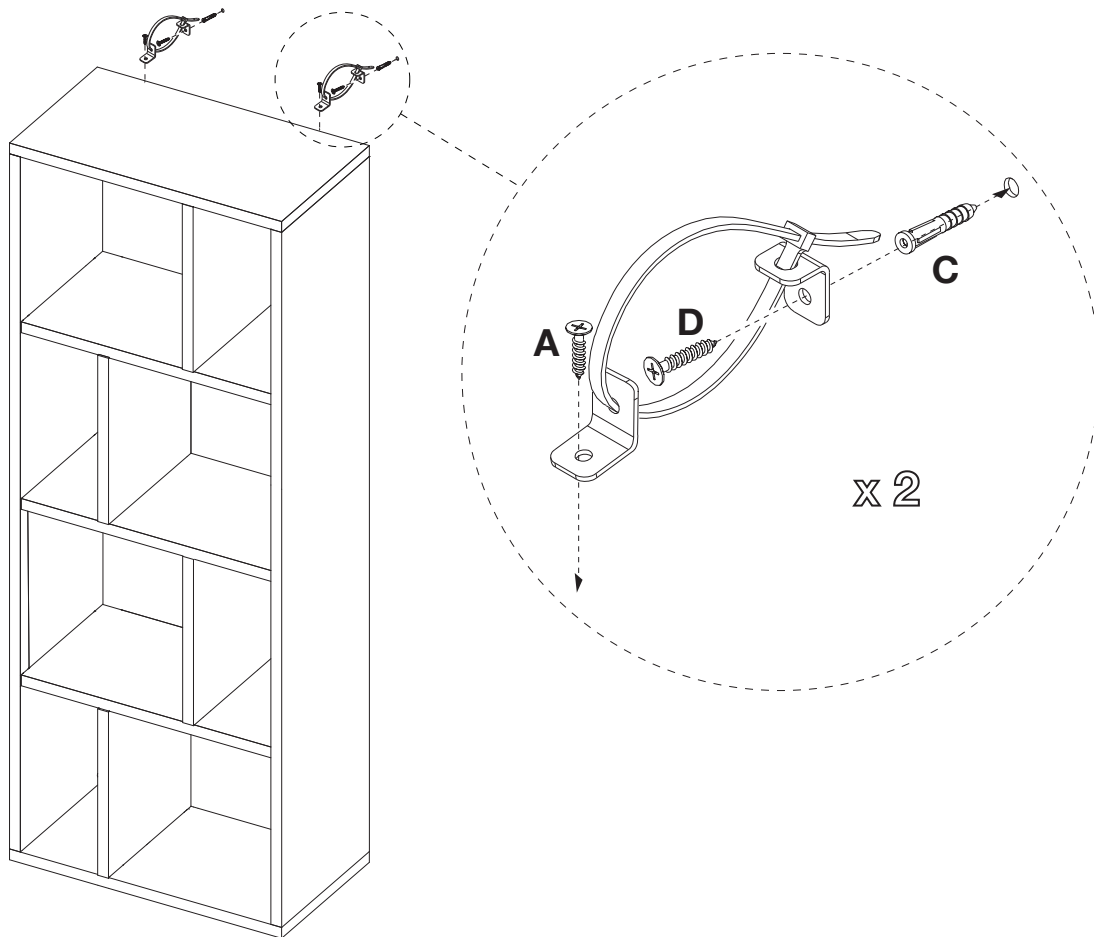


- ⑤ A) Fit dowels of **top panel (B)** and **bottom panel (C)** into corresponding holes of assembled unit as shown. Secure all **cams**.
 B) Cover all exposed cams with **cam covers**.
 With the assistance of another adult, carefully position unit upright.

Assembly is now complete.

CLEANING AND CARE

Clean surfaces with a dry or damp soft cloth. Do not use abrasive cleaners.
 Do not use furniture wax or polish as the wood is finished with a protective clear lacquer.

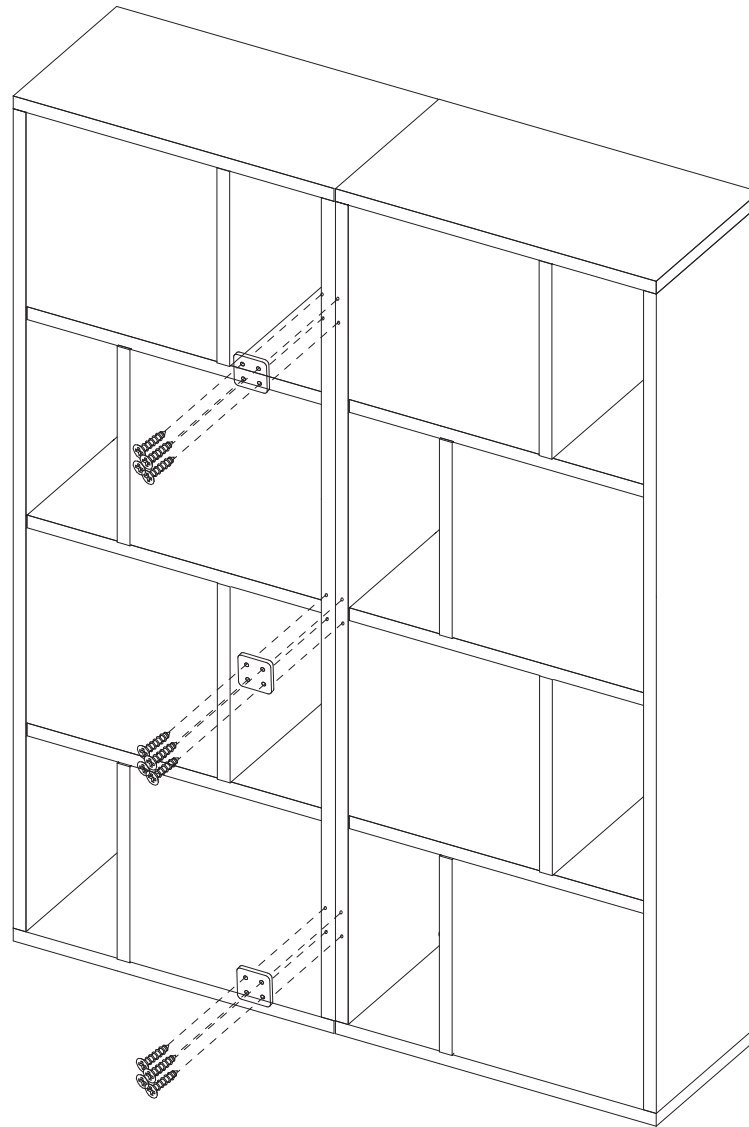


OPTIONAL WALL ATTACHMENT

These instructions are for drywall mounting only. For safe installation it is essential to use hardware appropriate for your wall type. Mount to wood wall studs whenever possible. This product is only deterrent, it is not a substitute for proper adult supervision.

NOTE: If you are unsure about your wall type or what mounting method you should use, consult a qualified professional or your local hardware store.

- A) Attach 2 **metal brackets** to the top of the assembled unit with 2 **small screws**.
- B) With the assistance of another adult, place the unit in desired location against the wall. Mark the location of the hole in the bracket on the wall. Move the unit out of the workspace.
- C) Drill holes slightly smaller in diameter than the drywall anchors. Insert the **drywall anchors** into the holes until they are flush to the wall.
- D) Insert 1 **medium screw** through each metal bracket and into the drywall anchor. Secure, but do not over tighten with a **phillips head screwdriver**.
- E) Place the bookcase back into position against the wall and thread the **wall strap** through both brackets and pull until tight.



MULTIPLE SHIFT BOOKCASE ASSEMBLY

If you purchased multiple bookcases, it is suggested that every two or more items be secured together. As shown, connect every 2 units with 3 **connecting plates**. Attach each plate with 2 **connecting screws** using a screwdriver. Repeat steps for each additional bookcase